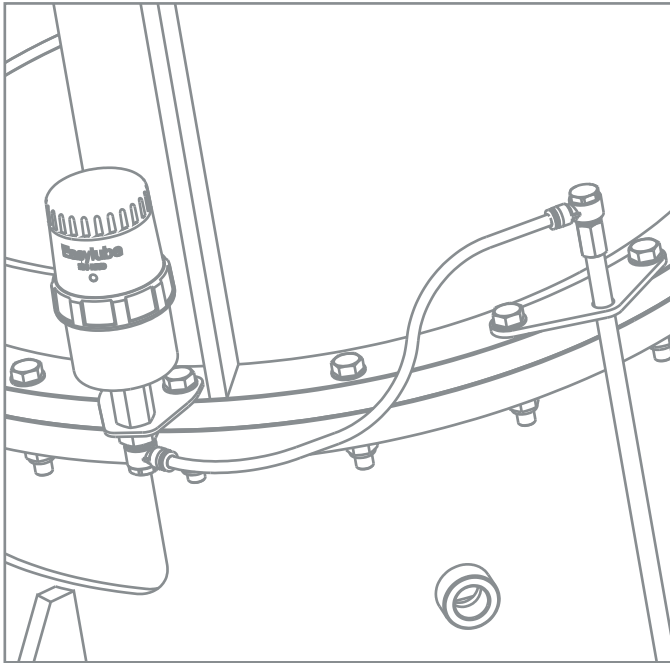


GREASE LINE LUBRICATION KIT - UNIVERSAL



DESCRIPTION:

- ⚡ Automated grease line lubrication system
- ⚡ Universal mounting
- ⚡ Kit includes all fittings and consumables
- ⚡ Fits on all current 300NB, 400NB and 600NB pumps

ADVANTAGES:

- ⚡ Precise lubrication of intake bearings
- ⚡ Prevents over greasing
- ⚡ Six month refill interval
- ⚡ Saving on daily labour
- ⚡ Reliable lubrication mechanism
- ⚡ Reduces the risk of contamination
- ⚡ Can be monitored using a software based application