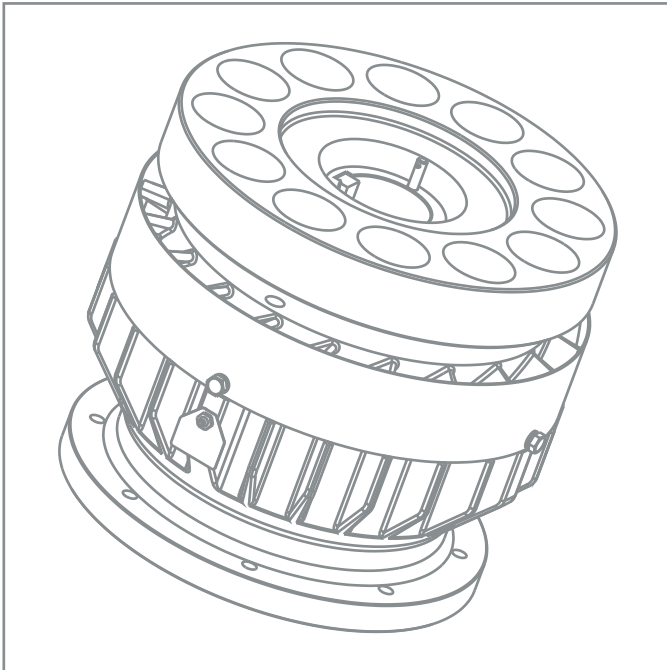


900NB 140MM THRUST ASSEMBLY



DESCRIPTION:

- 💡 140mm Double bearing, grease lubricated thrust assembly
- 💡 75mm to 100mm shafts
- 💡 Fully interchangeable with the historic oil lubricated thrust assembly

ADVANTAGES:

- 💡 No oil required on site for thrust assembly
- 💡 Fully interchangeable with historic and current oil lubricated design
- 💡 High thrust rating due to the dual thrust bearing arrangement
- 💡 Improved cooling
- 💡 No oil spillage and contamination on site
- 💡 Reduced maintenance
- 💡 Can be slung for installation and removal directly on the spindle